



# SERVICE LETTER

LANCIA OF AMERICA

SUBJECT : 1976 MODEL SPECIFICATIONS

NO. 23/14

VEHICLES : ALL MODELS

APRIL 8, 1976

Enclosed you will find a copy of the Specification chart for 1976 Lancia models.

This specification chart includes the two new Lancia models, the HPE, and Scorpion, which are soon to be released.

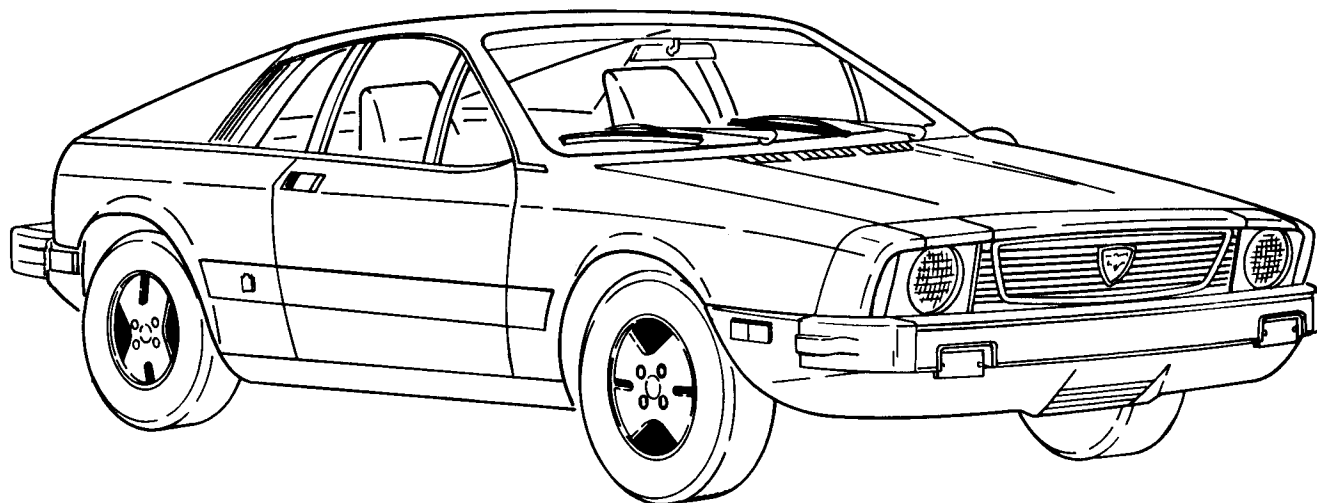
Inform all personnel of the specifications included in this chart.

LANCIA OF AMERICA

1976



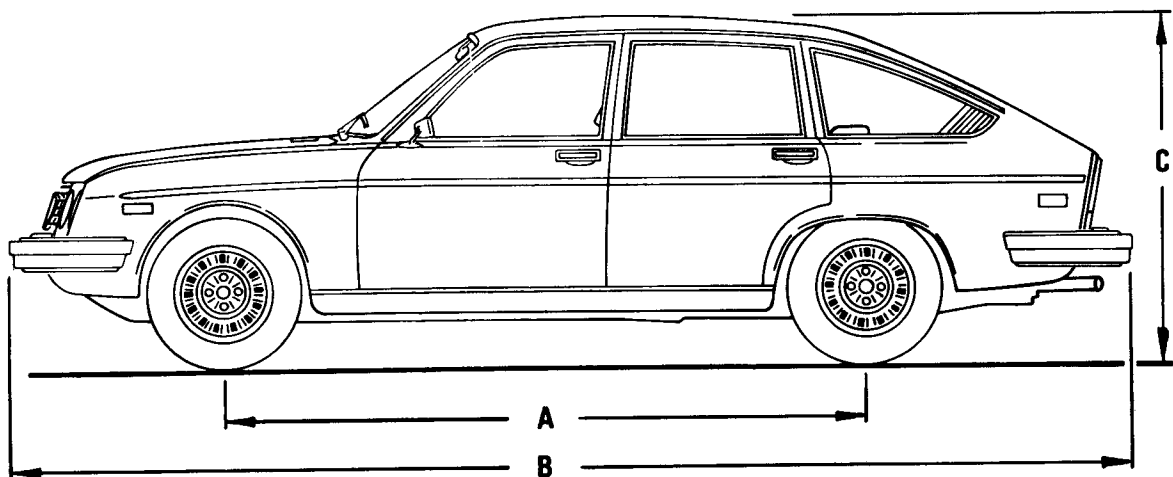
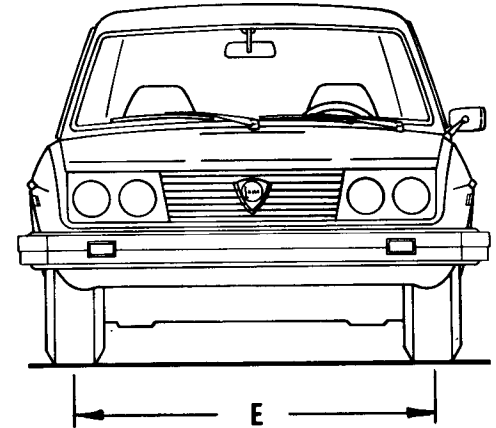
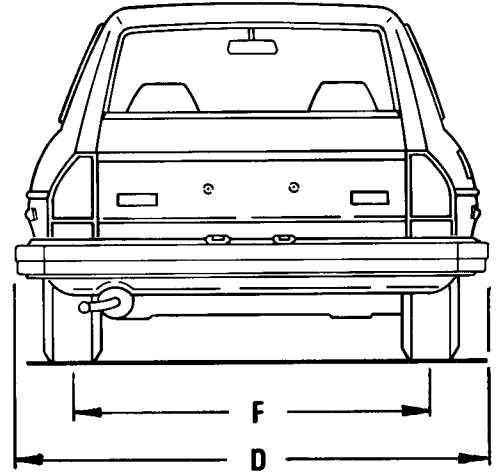
## MODEL SPECIFICATIONS



# BETA SEDAN

## DESCRIPTION

Beginning Serial Number	—	503001
Chassis Type Model Prefix	—	828AB6
Body Style	—	4 Door Sedan
Engine Type and Arrangement	—	828A1.0406 (828A1.031.6*) Front Transverse
Number of Cylinders	—	4
Bore & Stroke mm (inches)	—	84 x 79.2 (3.31 x 3.12*)
Displacement cc (cu. in.)	—	1756 (107.13)
Type of Valves	—	T.O.H.C.
Compression Ratio	—	8 to 1
SAE Net Horsepower at RPM	—	86 at 6200 (81 at 5900*)
SAE Torque (ft. lbs. at RPM) Net	—	90 at 2800 (89 at 3200*)
Crankcase (Quarts)	—	4.24 (5.28**)
Cooling System (Quarts)	—	8.84
Carburetor	—	Vertical Dual Barrel
Fuel Tank (U.S. Gallons)	—	12.5
Standard Transmission (S.T.)	—	5 Speed All Syncro
Drive Wheels	—	Front
Transmission (Pints)	—	3.52
Brakes (Front and Rear)	—	Disc Type
Power Assisted	—	Front and Rear
Parking Brake	—	Mechanically Operated on Rear Brakes
Effective Brake Area (Sq. In.)	—	46.81
Suspension	—	Independent Wheels, Coil Springs, Sway Bar
Steering	—	Direct Acting Rack and Pinion
Turning Circle (Diameter in Ft.)	—	34.77
Wheelbase (Inches)	—	100 (A)
Overall Length (Inches)	—	177.95 (B)
Overall Height (Inches)	—	55.12 (C)
Overall Width (Inches)	—	66.54 (D)
Front Track (Inches)	—	55.35 (E)
Rear Track (Inches)	—	54.80 (F)
Curb Weight*** (Lbs.)	—	2695
Shipping Weight*** (Lbs.)	—	2620
Trunk Volume (Cu. Ft.)	—	17.7
Axle Ratio	—	14/61
Tire Size	—	175/70 SR 14
Rim Size	—	5½ J x 14

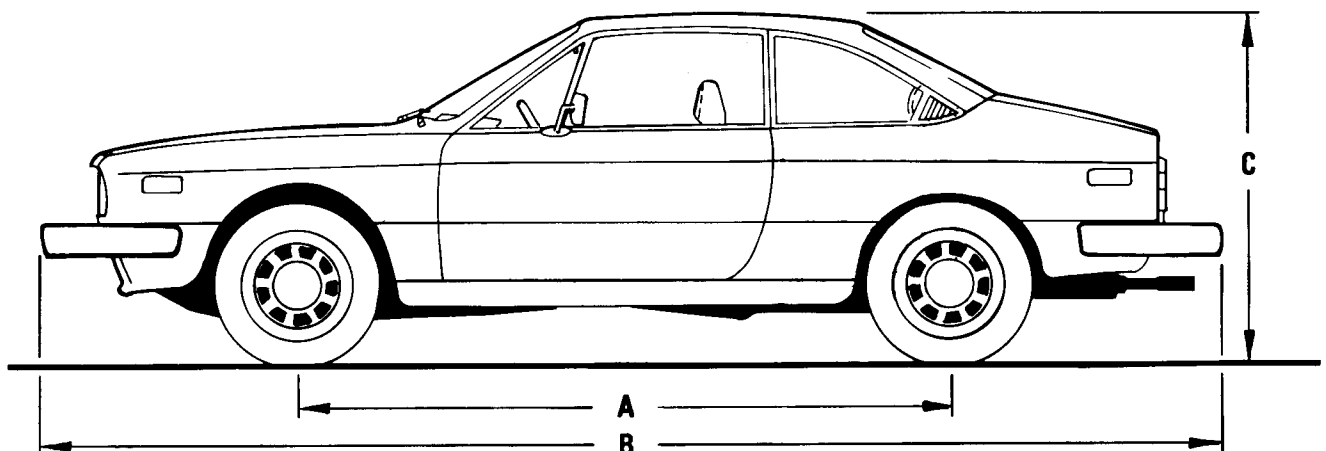
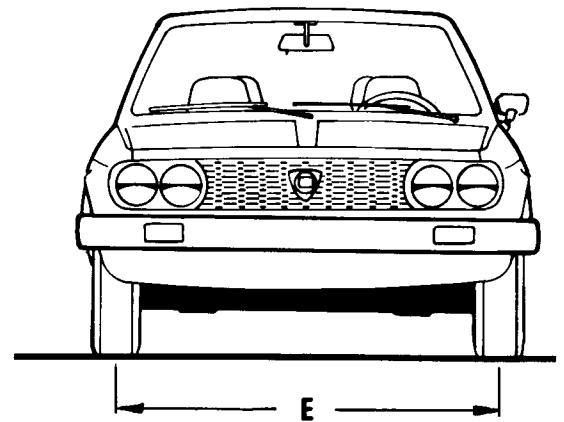
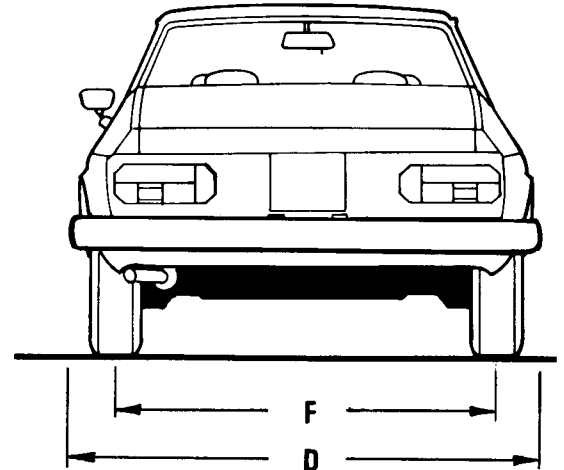


## BETA COUPE

### DESCRIPTION

Beginning Serial Number	-	603001
Chassis Type Model Prefix	-	828AC1
Body Style	-	2 Door Coupe
Engine Type and Arrangement	-	828A1.0405 (828A1.031.6*) Front Transverse
Number of Cylinders	-	4
Bore & Stroke mm (inches)	-	84 x 79.2 (3.31 x 3.12)
Displacement cc (cu. in.)	-	1756 (107.13)
Type of Valves	-	T.O.H.C.
Compression Ratio	-	8 to 1
SAE Net Horsepower at RPM	-	86 at 6200 (81 at 5900*)
SAE Torque (ft. lbs. at RPM) Net	-	90 at 2800 (89 at 3200*)
Crankcase (Quarts)	-	4.24 (5.28**)
Cooling System (Quarts)	-	8.84
Carburetor	-	Vertical Dual Barrel
Fuel Tank (U.S. Gallons)	-	12.5
Standard Transmission (S.T.)	-	5 Speed All Syncro
Drive Wheels	-	Front
Transmission (Pints)	-	3.52
Brakes (Front and Rear)	-	Disc Type
Power Assisted	-	Front and Rear
Parking Brake	-	Mechanically Operated on Rear Brakes
Effective Brake Area (Sq. In.)	-	46.81
Suspension	-	Independent Wheels, Coil Springs, Sway Bar
Steering	-	Direct Acting Rack and Pinion
Turning Circle (Diameter in Ft.)	-	33.46
Wheelbase (Inches)	-	92.58 (A)
Overall Length (Inches)	-	166.73 (B)
Overall Height (Inches)	-	50.59 (C)
Overall Width (Inches)	-	64.96 (D)
Front Track (Inches)	-	55.35 (E)
Rear Track (Inches)	-	54.80 (F)
Curb Weight*** (Lbs.)	-	2470
Shipping Weight*** (Lbs.)	-	2395
Trunk Volume (Cu. Ft.)	-	12.7
Axle Ratio	-	14/59
Tire Size	-	175/70 SR 14
Rim Size	-	5½ J x 14

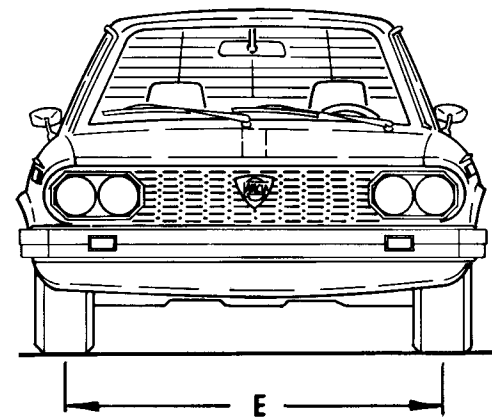
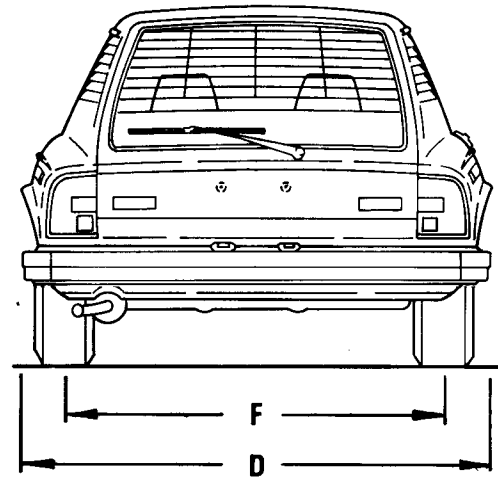
\*\*With filter and oil change.



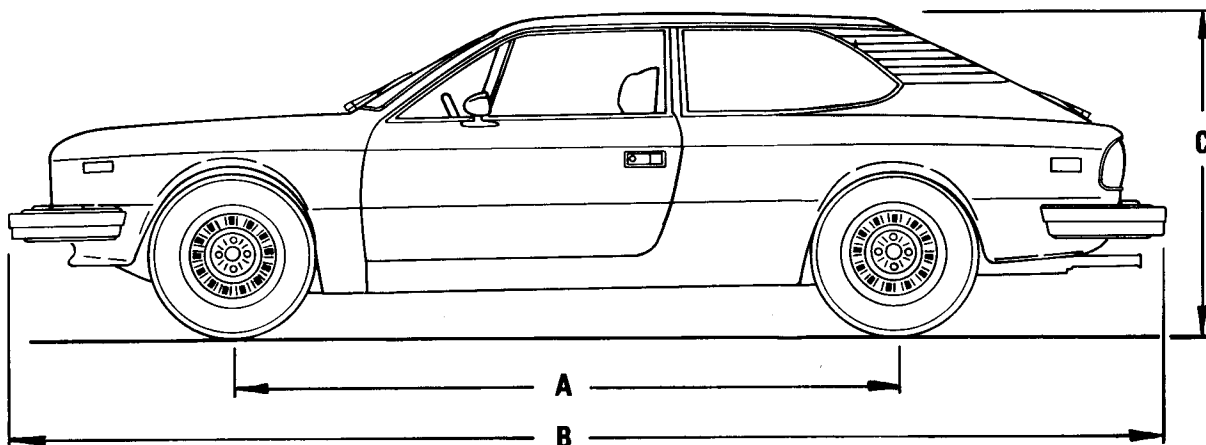
BETA HPE

DESCRIPTION

Beginning Serial Number	-	7000001
Chassis Type Model Prefix	-	828AF1
Body Style	-	2 Door Hatchback
Engine Type and Arrangement	-	828A1.040.6 (828A1.031.6*) Front Transverse
Number of Cylinders	-	4
Bore & Stroke mm (inches)	-	84 x 79.2 (3.31 x 3.12)
Displacement cc (cu. in.)	-	1756 (107.13)
Type of Valves	-	T.O.H.C.
Compression Ratio	-	8 to 1
SAE Net Horsepower at RPM	-	86 at 6200 (81 at 5900*)
SAE Torque (ft. lbs. at RPM) Net	-	90 at 2800 (89 at 3200*)
Crankcase (Quarts)	-	4.24 (5.28**)
Cooling System (Quarts)	-	8.84
Carburetor	-	Vertical Dual Barrel
Fuel Tank (U.S. Gallons)	-	12.5
Standard Transmission (S.T.)	-	5 Speed All Syncro
Drive Wheels	-	Front
Transmission (Pints)	-	3.52
Brakes (Front and Rear)	-	Disc Type
Power Assisted	-	Front and Rear
Parking Brake	-	Mechanically Operated on Rear Brakes
Effective Brake Area (Sq. In.)	-	46.81
Suspension	-	Independent Wheels, Coil Springs, Sway Bar
Steering	-	Direct Acting Rack and Pinion
Turning Circle (Diameter in Ft.)	-	34.77
Wheelbase (Inches)	-	100 (A)
Overall Length (Inches)	-	178.54 (B)
Overall Height (Inches)	-	50.59 (C)
Overall Width (Inches)	-	64.96 (D)
Front Track (Inches)	-	55.35 (E)
Rear Track (Inches)	-	54.80 (F)
Curb Weight*** (Lbs.)	-	2589
Shipping Weight*** (Lbs.)	-	2514
Trunk Volume (Cu. Ft.)	-	10.6 (Seat up) 42.4 (Seat down)
Axle Ratio	-	14/61
Tire Size	-	175/70 SR 14
Rim Size	-	5½ J x 14



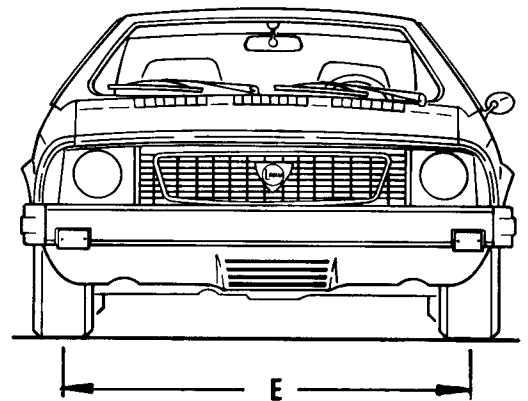
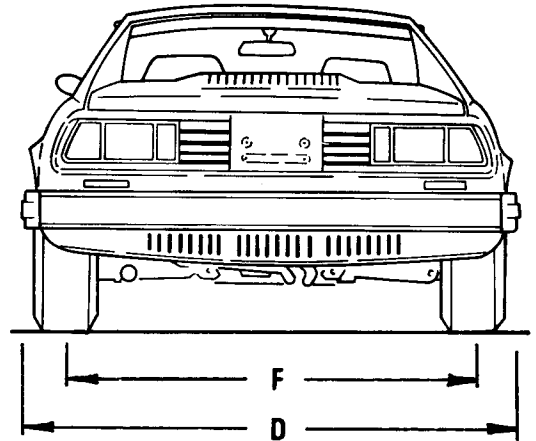
\*\*\*For vehicles equipped with: catalytic converter add 10 lbs. (except Scorpion), air conditioning add 55 lbs., power windows add 13.3 lbs. (Sedan) or 6.2 lbs. (HPE and Coupe), sun roof add 12.4 lbs. (Sedan and HPE).



# SCORPION

## DESCRIPTION

Beginning Serial Number	-	0100001
Chassis Type Model Prefix	-	137AS
Body Style	-	2 Door Coupe
Engine Type and Arrangement	-	828A1.031.6 Mid Transverse
Number of Cylinders	-	4
Bore & Stroke mm (inches)	-	84 x 79.2 (3.31 x 3.12)
Displacement cc (cu. in.)	-	1756 (107.13)
Type of Valves	-	T.O.H.C.
Compression Ratio	-	8 to 1
SAE Net Horsepower at RPM	-	81 at 5900
SAE Torque (ft. lbs. at RPM) Net	-	89 at 3200
Crankcase (Quarts)	-	5.6 (6.56**)
Cooling System (Quarts)	-	14.8
Carburetor	-	Vertical Duel Barrel
Fuel Tank (U.S. Gallons)	-	15
Standard Transmission (S.T.)	-	5 Speed All Syncro
Drive Wheels	-	Rear
Transmission (Pints)	-	3.52
Brakes (Front and Rear)	-	Disc Type
Power Assisted	-	Front
Parking Brake	-	Mechanically Operated on Rear Brakes
Effective Brake Area (Sq. In.)	-	38.44
Suspension	-	Independent Wheels, Coil Springs, Sway Bar
Steering	-	Direct Acting Rack and Pinion
Turning Circle (Diameter in Ft.)	-	34.28
Wheelbase (Inches)	-	90.55 (A)
Overall Length (Inches)	-	156.10 (B)
Overall Height (Inches)	-	46.85 (C)
Overall Width (Inches)	-	66.77 (D)
Front Track (Inches)	-	55.59 (E)
Rear Track (Inches)	-	57.32 (F)
Curb Weight*** (Lbs.)	-	2370
Shipping Weight*** (Lbs.)	-	2278
Trunk Volume (Cu. Ft.)	-	7.1
Axle Ratio	-	14/55
Tire Size	-	165 HR 13
Rim Size	-	5½ J x 13



\*Specifications refer to vehicles equipped with catalytic converter.

